

KOMATSU

PC390HRD-11



High reach demolition

Engine power

202 kW / 271 HP @ 1950 rpm

Operating weight

45760 - 61800 kg

Max. attachment weight

Medium reach demolition: 4000 kg

High reach demolition: 3350 kg

Extended high reach demolition: 2500 kg

Specifications

Engine

Model	Komatsu SAA6D114E-6
Type	Common rail direct injection, water-cooled, emissionised, turbocharged, after-cooled diesel
Engine power	
at rated engine speed	1950 rpm
ISO 14396	202 kW / 271 HP
ISO 9249 (net engine power)	192 kW / 257 HP
No. of cylinders	6
Bore × stroke	114 × 144.5 mm
Displacement	8.85 l
Air filter type	Double element type with monitor panel dust indicator and auto dust evacuator
Cooling	Suction type cooling fan with radiator fly screen
Fuel	Diesel fuel, conforming to EN590 Class 2/Grade D. Paraffinic fuel capability (HVO, GTL, BTL), conforming to EN 15940:2016

Hydraulic system

Type	HydrauMind Closed-centre system with load sensing and pressure compensation valves
Additional circuits	2 additional circuits with proportional control are installed
Main pump	2 variable displacement piston pumps supplying boom, arm, bucket, swing and travel circuits
Max. pump flow	2 × 267.5 l/min
Relief valve settings	
Implement	380 kg/cm ²
Travel	380 kg/cm ²
Swing	285 kg/cm ²
Pilot circuit	33 kg/cm ²

Service refill capacities

Fuel tank	605 l
Radiator	37.0 l
Engine oil	38.5 l
Swing drive	14.0 l
Hydraulic tank	188 l
Final drive (each side)	11.0 l
AdBlue® tank	39.0 l

Swing system

Type	Axial piston motor driving through planetary double reduction gearbox
Swing lock	Electrically actuated wet multidisc brake integrated into swing motor
Swing speed	0 - 9.5 rpm
Swing torque	103 kNm

Drives and brakes

Steering control	2 levers with pedals giving full independent control of each track
Drive method	Hydrostatic
Travel operation	Automatic 3-speed selection
Gradeability	70%, 35°
Max. travel speeds	
Lo / Mi / Hi	2.8 / 3.7 / 4.5 km/h
Max. drawbar pull	34000 kg
Brake system	Hydraulically operated discs in each travel motor

Undercarriage

Construction	X-frame centre section with box section track frames
Track assembly	
Type	Fully sealed
Shoes (each side)	49
Tension	Combined spring and hydraulic unit
Rollers	
Track rollers (each side)	8
Carrier rollers (each side)	2

Environment

Engine emissions	Fully complies with EU Stage V exhaust emission regulations
Noise levels	
LwA external	104 dB(A) (2000/14/EC Stage II)
LpA operator ear	71 dB(A) (ISO 6396 dynamic test)
Vibration levels (EN 12096:1997)	
Hand/arm	≤ 2.5 m/s ² (uncertainty K = 0.37 m/s ²)
Body	≤ 0.5 m/s ² (uncertainty K = 0.17 m/s ²)
Contains fluorinated greenhouse gas HFC-134a (GWP 1430). Quantity of gas 0.8 kg, CO ₂ equivalent 1.14 t	

Operating weight (appr.)

Triple grouser shoes	Extended high reach demolition		High reach demolition		Medium reach demolition		Excavation boom	
	Operating weight	Ground pressure	Operating weight	Ground pressure	Operating weight	Ground pressure	Operating weight	Ground pressure
600 mm	57300 kg	0.99 kg/cm ²	55300 kg	0.96 kg/cm ²	56200 kg	0.97 kg/cm ²	45760 kg	0.82 kg/cm ²
700 mm	57800 kg	0.86 kg/cm ²	55800 kg	0.83 kg/cm ²	56700 kg	0.84 kg/cm ²	46260 kg	0.71 kg/cm ²
700 mm HWG	61800 kg	0.92 kg/cm ²	59880 kg	0.89 kg/cm ²	60700 kg	0.90 kg/cm ²	50260 kg	0.77 kg/cm ²
Attachment weight	2500 kg		3350 kg		4000 kg		1700 kg	

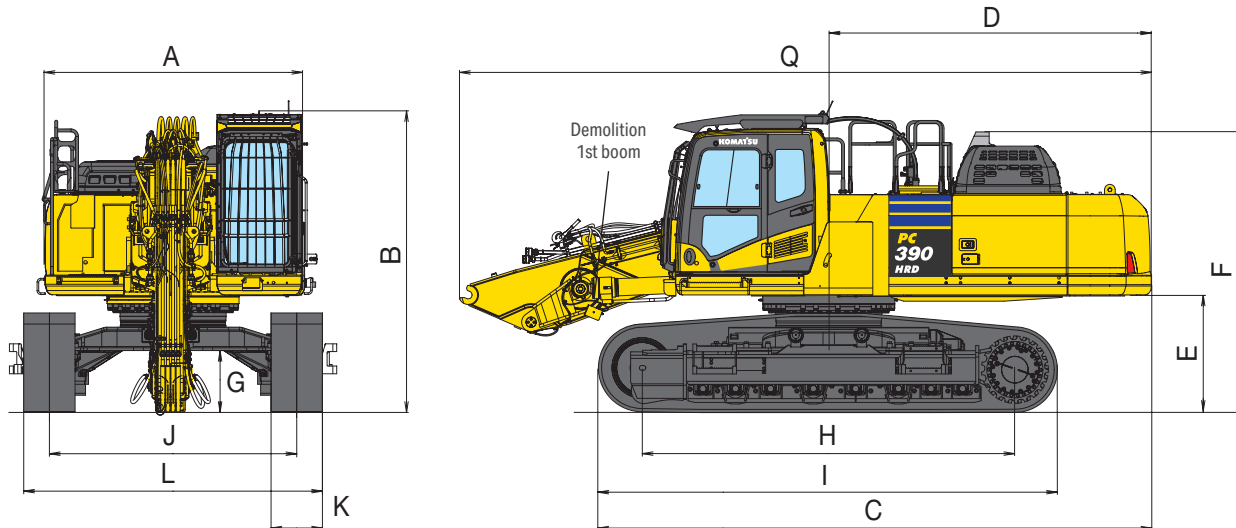
Operating weight, including specified work equipment, operator, lubricant, coolant, full fuel tank and the standard equipment.



PC390HRD-11



Basic dimensions



Transport dimensions

Undercarriage	LC	HWG
A Overall width of upper structure ¹⁾	2995 mm	2995 mm
B Overall height of cab, with FOPS	3495 mm	3395 mm
Overall height of cab, without FOPS	3300 mm	3200 mm
C Overall length of basic machine	6465 mm	6465 mm
D Tail length	3770 mm	3770 mm
E Clearance under counterweight	1330 mm	1230 mm
F Machine tail height	3225 mm	3125 mm
G Ground clearance	685 mm	385 mm
H Tumbler centre distance	4350 mm	4350 mm
I Track length	5385 mm	5385 mm
J Track gauge ²⁾	2390 - 2890 mm	2280 - 3290 mm
K Track shoe width	600 mm, 700 mm	700 mm
L Overall track width with 600 mm shoes ²⁾	2990 - 3490 mm	-
Overall track width with 700 mm shoes ²⁾	3090 - 3590 mm	2980 - 3980 mm
Q Transport length	8090 mm	8090 mm
Transport weight (600 mm shoe) ³⁾	39500 kg	-
Transport weight (700 mm shoe) ³⁾	40000 kg	44000 kg

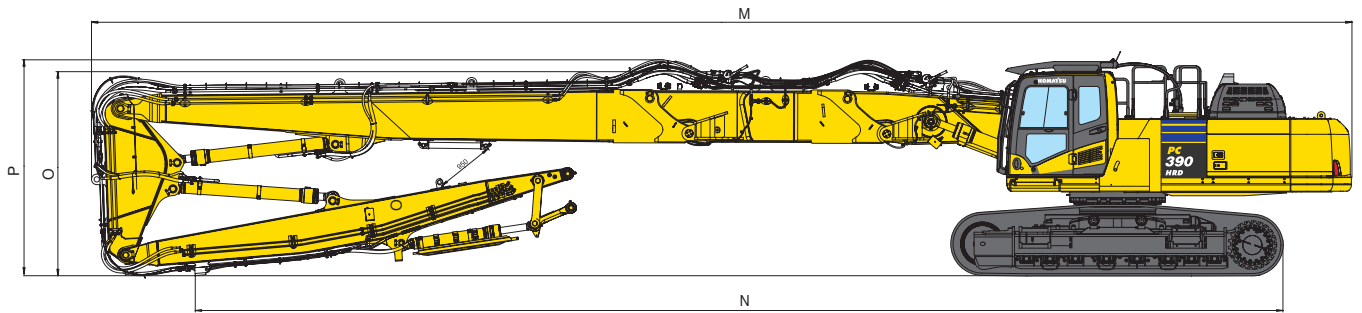
¹⁾ Overall width of upper structure excludes side guards, handrails and mirrors. Side guards can be removed if transport width of less than 3 m is required.

²⁾ Undercarriage in retracted – extended position

³⁾ Transport weights exclude additional counterweight.

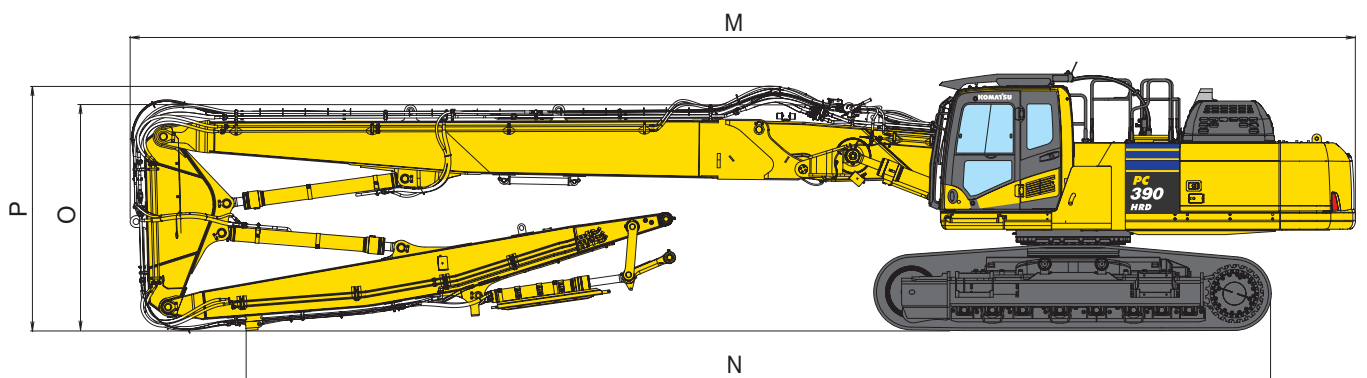
Transport dimensions

Extended high reach demolition



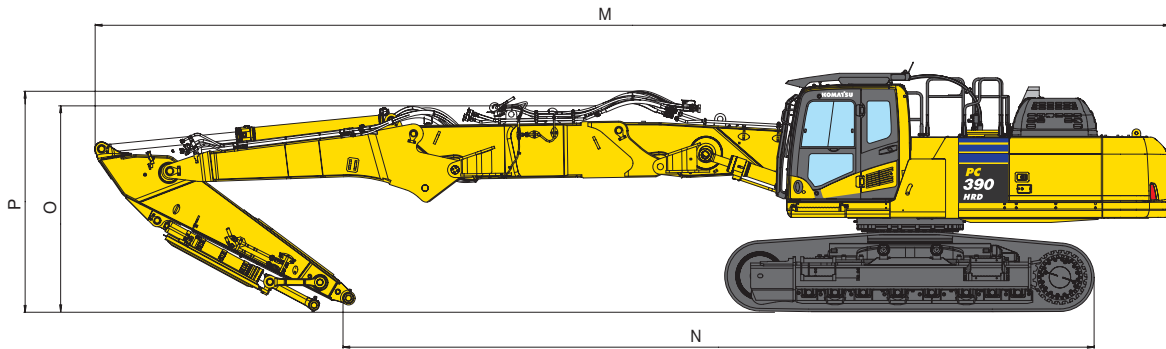
M	Overall transport length	19530 mm
N	Transport length on ground	16845 mm
O	Transport height (to top of boom)	3090 mm
P	Transport height (to top of hose)	3370 mm
	Transport weight (LC undercarriage, 600 mm shoe, including additional counterweight)	54800 kg

High reach demolition



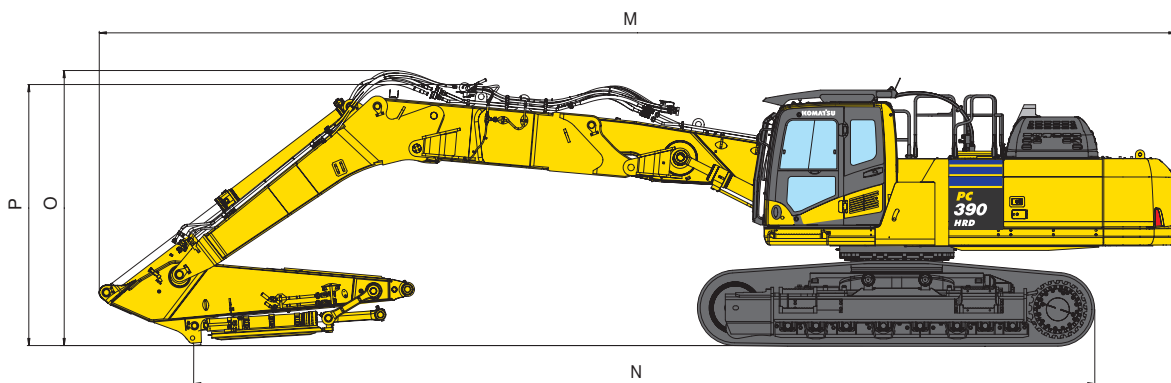
M	Overall transport length	16530 mm
N	Transport length on ground	13870 mm
O	Transport height (to top of boom)	3090 mm
P	Transport height (to top of hose)	3370 mm
	Transport weight (LC undercarriage, 600 mm shoe, including additional counterweight)	51950 kg

Medium reach demolition – straight position



M	Overall transport length	15705 mm
N	Transport length on ground	10985 mm
O	Transport height (to top of boom)	2985 mm
P	Transport height (to top of hose)	3185 mm
	Transport weight (LC undercarriage, 600 mm shoe, including additional counterweight)	52200 kg

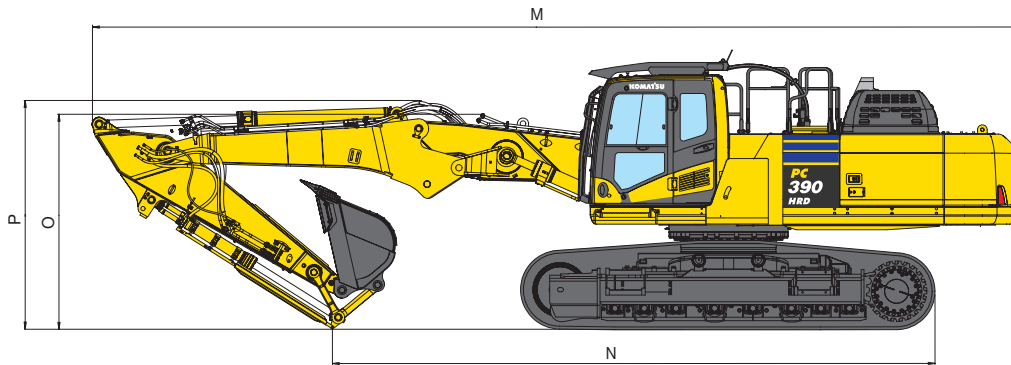
Medium reach demolition – cranked position



M	Overall transport length	14860 mm
N	Transport length on ground	12445 mm
O	Transport height (to top of boom)	3590 mm
P	Transport height (to top of hose)	3770 mm
	Transport weight (LC undercarriage, 600 mm shoe, including additional counterweight)	52200 kg

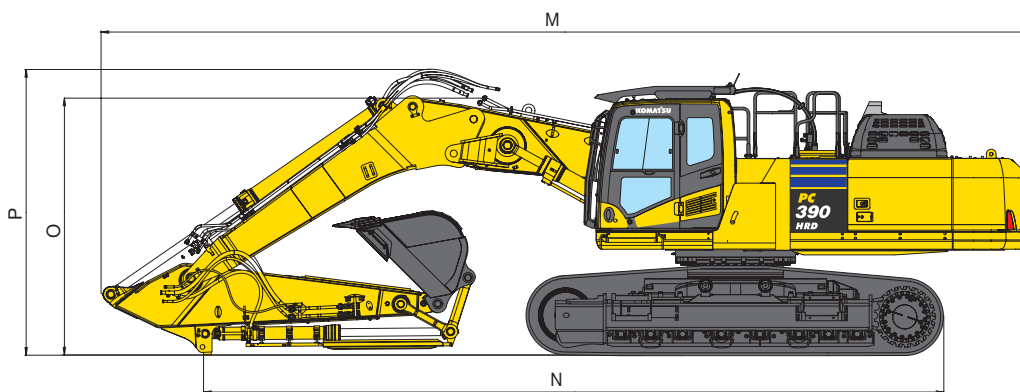
Transport dimensions

Excavation boom – straight position



M	Overall transport length	12680 mm
N	Transport length on ground	8155 mm
O	Transport height (to top of boom)	3160 mm
P	Transport height (to top of hose)	3260 mm
	Transport weight (LC undercarriage, 600 mm shoe, including 1700 kg bucket)	45760 kg

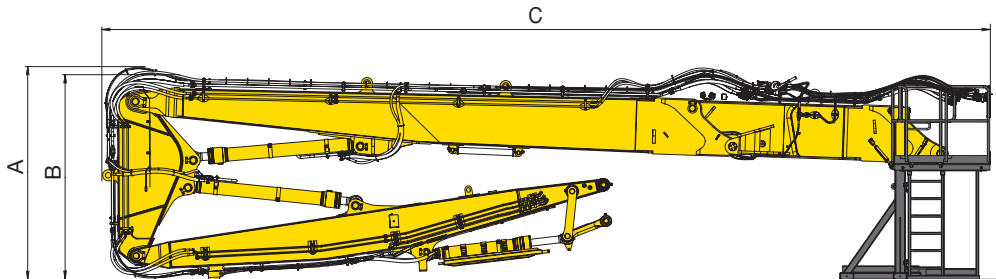
Excavation boom – cranked position



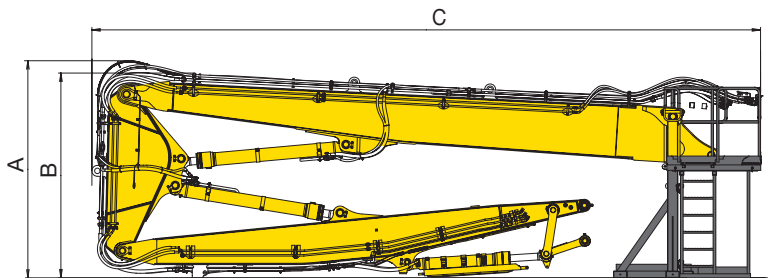
M	Overall transport length	11930 mm
N	Transport length on ground	9540 mm
O	Transport height (to top of boom)	3310 mm
P	Transport height (to top of hose)	3670 mm
	Transport weight (LC undercarriage, 600 mm shoe, including 1700 kg bucket)	45760 kg

Work equipment storage dimensions

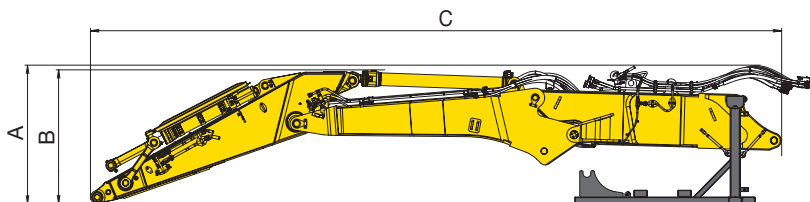
Extended high reach demolition



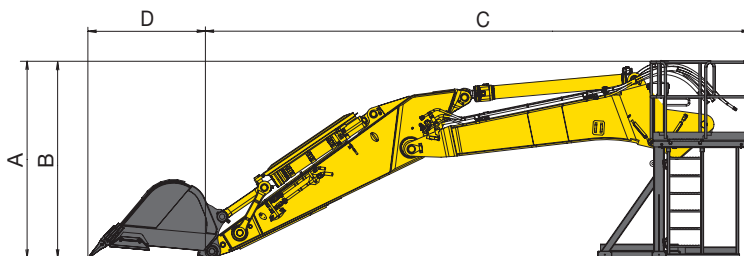
High reach demolition



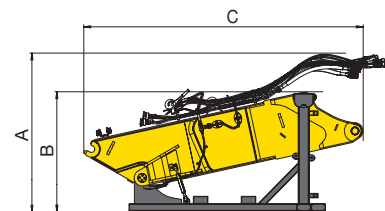
Medium reach demolition



Excavation boom



Extension



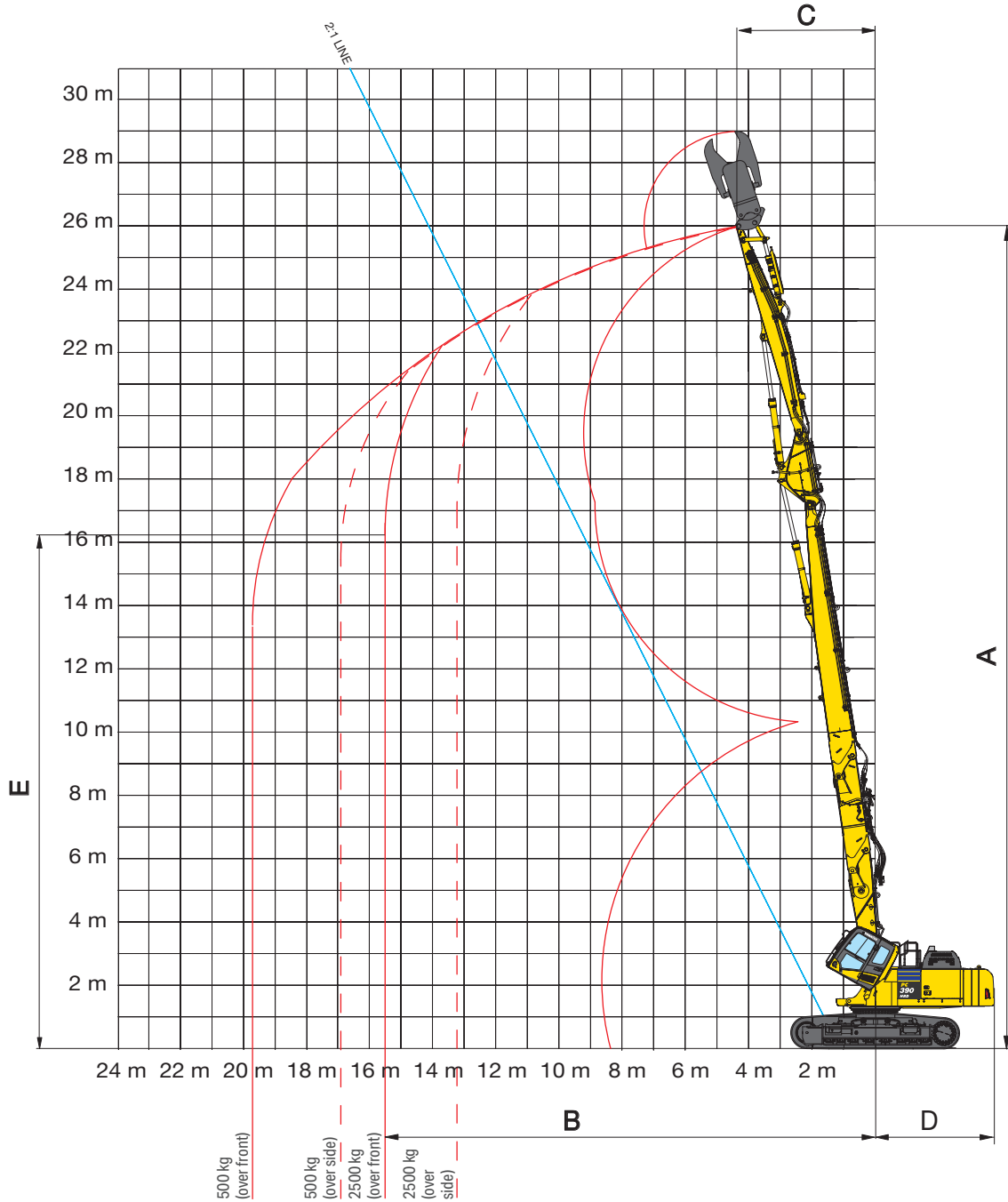
Work equipment storage dimensions

	Extended high reach demolition	High reach demolition	Medium reach demolition	Excavation boom	Extension
A	3065 mm	3190 mm	2040 mm	2805 mm	1865 mm
B	2910 mm	3080 mm	1955 mm	2805 mm	1615 mm
C	12800 mm	9830 mm	10355 mm	7730 mm	3845 mm
D	-	-	-	1700 mm	-
Transport weight*	10050 kg	7970 kg	7465 kg	5775 kg	2460 kg

* Transport weight includes equipment stands and excludes attachment/bucket.

Working range

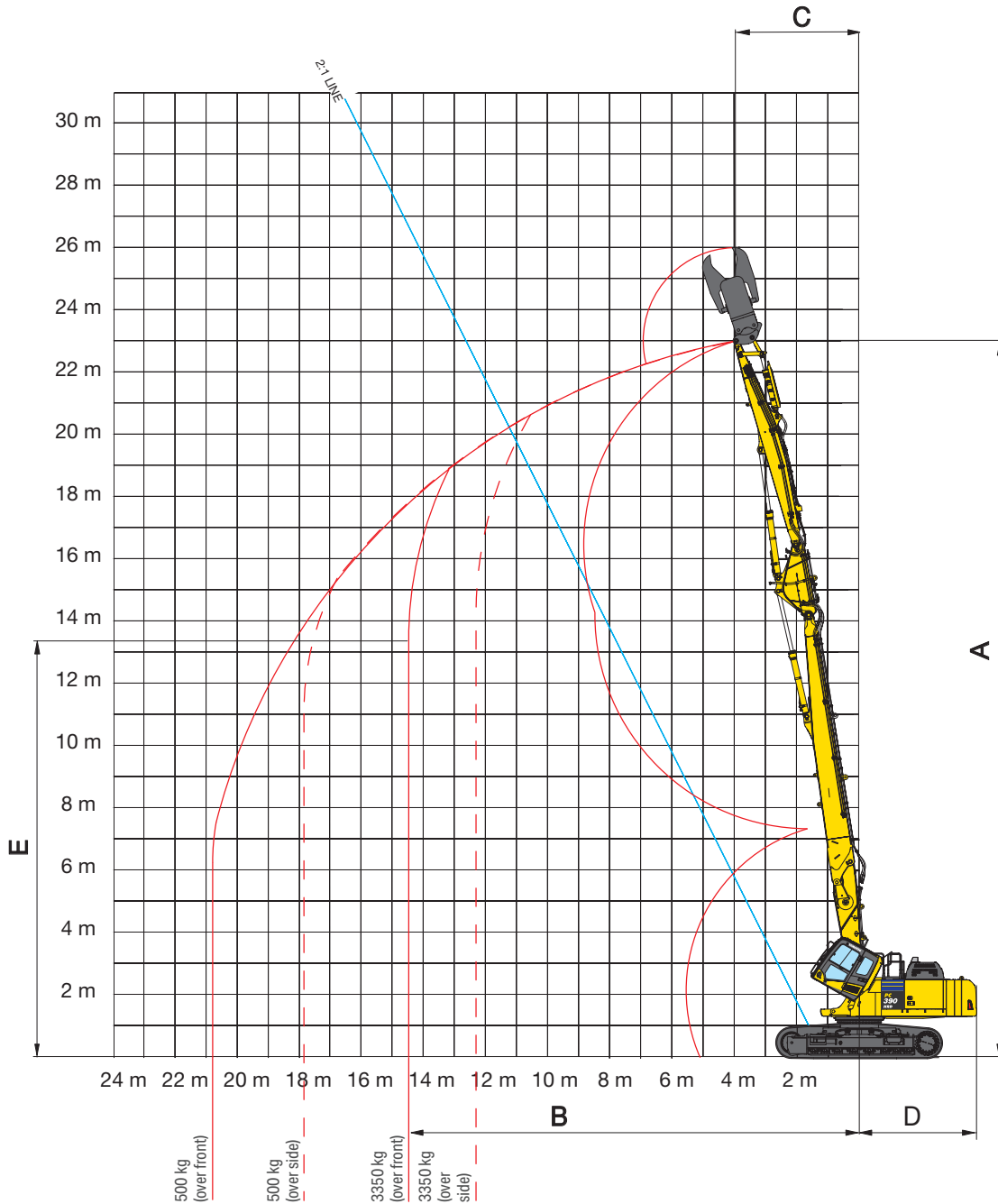
Extended high reach demolition



Extended high reach demolition

	Over front	Over side
A Max. height (to pin at arm end)	26015 mm	26015 mm
B Max. forward reach (max. tool weight)	15500 mm	13250 mm
C Min. swing radius of arm end pin at max. height	4315 mm	4315 mm
D Tail swing radius	3800 mm	3800 mm
E Height at max. reach	16230 mm	17030 mm
Max. height (2:1 line)	22940 mm	22940 mm
Reach at max. height (2:1 line)	12590 mm	12590 mm

High reach demolition



High reach demolition

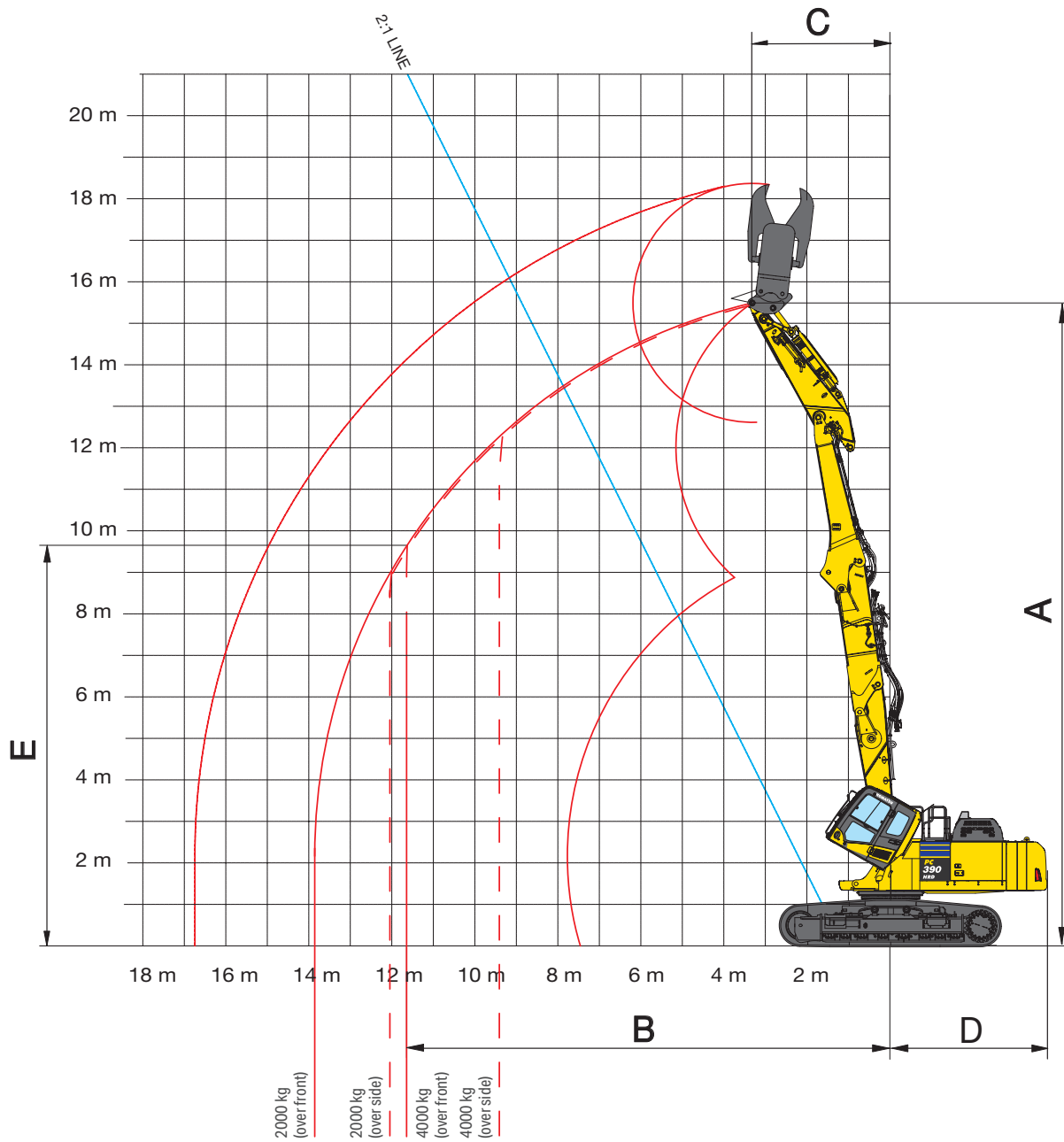
Over front

Over side

	Over front	Over side
A Max. height (to pin at arm end)	23035 mm	23035 mm
B Max. forward reach (max. tool weight)	14500 mm	12250 mm
C Min. swing radius of arm end pin at max. height	3960 mm	3960 mm
D Tail swing radius	3800 mm	3800 mm
E Height at max. reach	13380 mm	14190 mm
Max. height (2:1 line)	20250 mm	20250 mm
Reach at max. height (2:1 line)	11250 mm	11250 mm

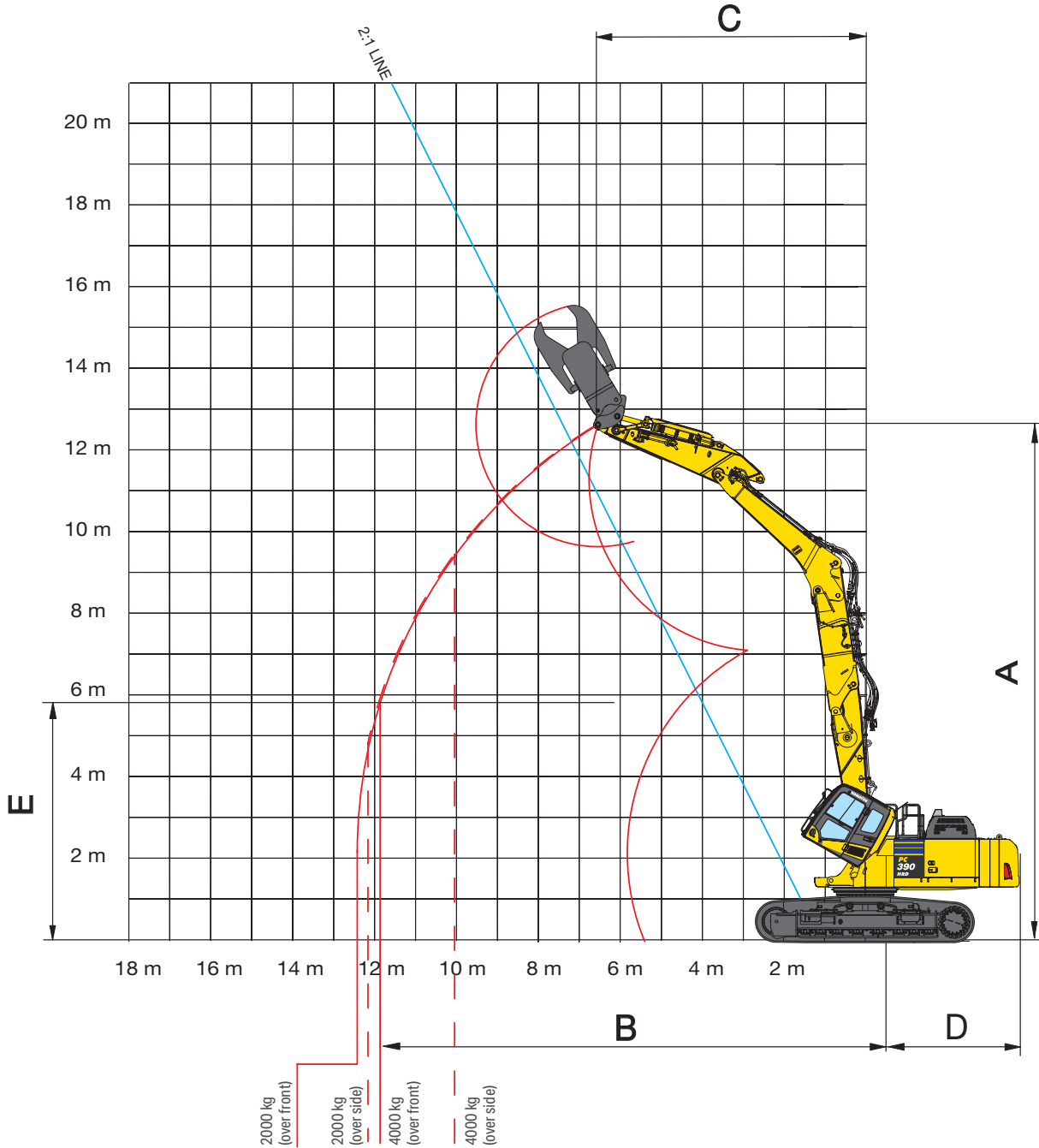
Working range

Medium reach demolition – straight position



Medium reach demolition – straight position	Over front	Over side
A Max. height (to pin at arm end)	15490 mm	15490 mm
B Max. forward reach (max. tool weight)	11915 mm	9450 mm
C Min. swing radius of arm end pin at max. height	3310 mm	3310 mm
D Tail swing radius	3800 mm	3800 mm
E Height at max. reach	9185 mm	12225 mm
Max. height (2:1 line)	13485 mm	13485 mm
Reach at max. height (2:1 line)	7865 mm	7865 mm

Medium reach demolition – cranked position



Medium reach demolition – cranked position

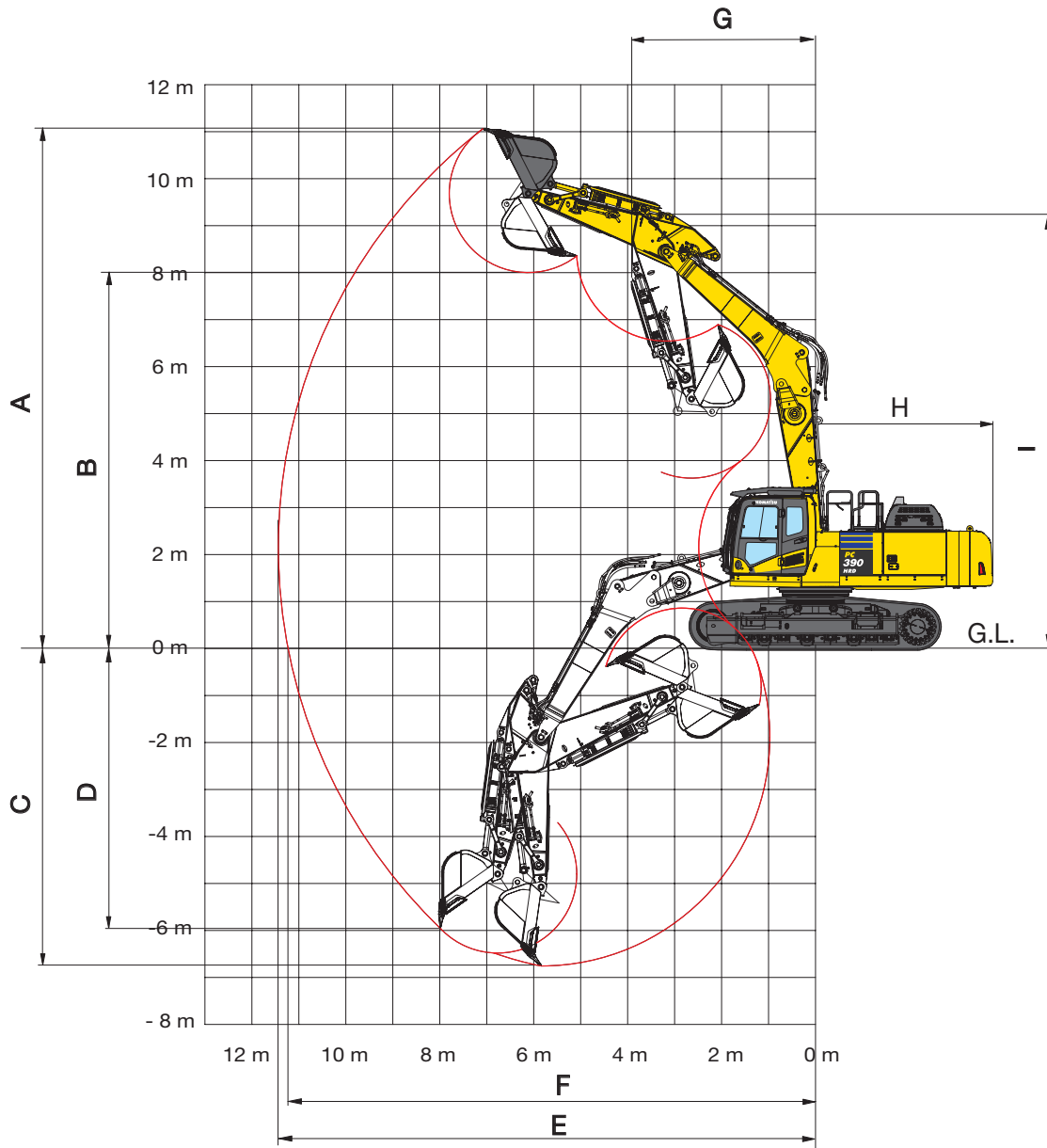
Over front

Over side

	Over front	Over side
A Max. height (to pin at arm end)	12655 mm	12655 mm
B Max. forward reach (max. tool weight)	11885 mm	10025 mm
C Min. swing radius of arm end pin at max. height	6550 mm	6550 mm
D Tail swing radius	3800 mm	3800 mm
E Height at max. reach	5830 mm	9485 mm
Max. height (2:1 line)	12210 mm	12210 mm
Reach at max. height (2:1 line)	7230 mm	7230 mm

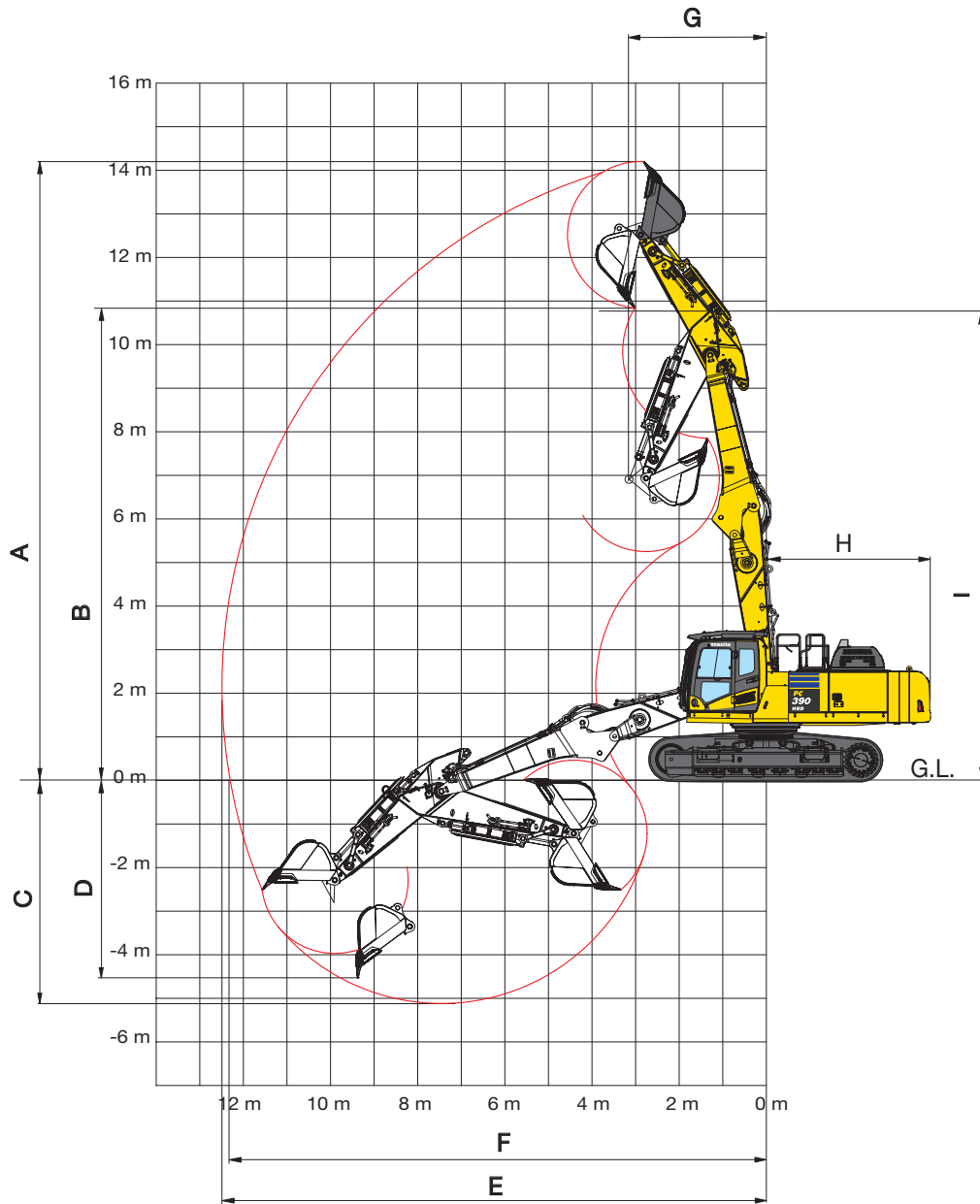
Working range

Excavation boom – cranked position



Arm length	3.2 m
A Max. digging height	11060 mm
B Max. dumping height	8000 mm
C Max. digging depth	6770 mm
D Max. vertical wall digging depth	5945 mm
E Max. digging reach	11435 mm
F Max. digging reach at ground level	11225 mm
G Min. swing radius (bucket loaded)	3905 mm
H Tail swing radius	3800 mm
I Max. height at min. swing radius	9485 mm

Excavation boom – straight position

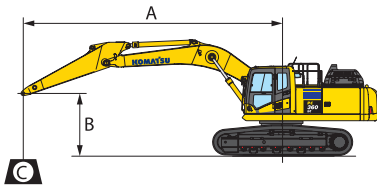


Arm length

3.2 m

A	Max. digging height	14205 mm
B	Max. dumping height	10840 mm
C	Max. digging depth	5135 mm
D	Max. vertical wall digging depth	4535 mm
E	Max. digging reach	12490 mm
F	Max. digging reach at ground level	12300 mm
G	Min. swing radius (bucket loaded)	3245 mm
H	Tail swing radius	3800 mm
I	Max. height at min. swing radius	10895 mm

Lifting capacity



- A - Reach from swing center
- B - Bucket hook height
- C - Lifting capacities

- Rating over front
- Rating over side
- Rating at maximum reach

Weights:
Bucket linkage, bucket cylinder, including cylinder guard: 588 kg

With 600 mm shoes

Excavation boom – cranked position

Arm length	A				9.0 m		7.5 m		6.0 m		4.5 m		3.0 m	
	B													
	9.0 m	kg	*9050	*9050										
	7.5 m	kg	*8450	*8450			*9350	*9350						
	6.0 m	kg	*8300	8050			*12850	10100	*14100	*14100				
	4.5 m	kg	*8450	7100	*10700	7450	*13600	9800	*15750	13700	*19700	*19700		
	3.0 m	kg	*8850	6550	11200	7250	*14600	9400	*17750	12900	*24050	19450		
	1.5 m	kg	*9500	6250	10950	7050	14300	9000	*19400	12150	*18600	17900		
	0.0 m	kg	9750	6250	10750	6850	13900	8700	19350	11650	*18100	17250		
	-1.5 m	kg	10150	6450	10600	6700	13650	8450	19050	11350	*23400	17050		
	-3.0 m	kg	11150	7050			13600	8400	*18850	11250	*23800	17100	*19550	*19550
	-4.5 m	kg	*12350	8250			*12750	8500	*16400	11350	*20300	1730		

Excavation boom – straight position

Arm length	A				10.5 m		9.0 m		7.5 m		6.0 m		4.5 m	
	B													
	9.0 m	kg	*9550	9050					*11650	9700	*13550	*13550	*12950	*12950
	7.5 m	kg	*8800	7200			*9100	7200	*13650	9750	*13400	*13400	*12200	*12200
	6.0 m	kg	*8450	6200			11200	7250	*14850	9550	*15250	13400	*14900	*14900
	4.5 m	kg	*8300	5650			11000	7100	14500	9250	*18850	12700		
	3.0 m	kg	8300	5350	8650	5550	10800	6900	14100	8850	19750	11950		
	1.5 m	kg	8150	5200	8550	5450	10600	6700	13700	8500				
	0.0 m	kg	8200	5250	8500	5400	10450	6550	13450	8250	18700	11050		
	-1.5 m	kg	*8550	5450			10350	6500	13350	8150	*17050	10950		
	-3.0 m	kg					*9550	6550	*12050	8200	*14100	11050		

* Load is limited by hydraulic capacity rather than tipping.
 Ratings are based on SAE Standard No. J1097.
 Rated loads do not exceed 87% of hydraulic lift capacity or 75% of tipping load.
 Lifting capacities are stated in kg, on the tip of the arm, for machine on firm, level supporting surface.

Standard and optional equipment

Engine

Komatsu SAA6D114E-6 turbocharged common rail direct injection diesel engine	●
EU Stage V compliant	●
Suction type cooling fan with radiator fly screen	●
Automatic engine warm-up system	●
Engine overheat prevention system	●
Fuel control dial	●
Auto-deceleration function	●
Adjustable idle shutdown	●
Engine key stop	●
Engine ignition can be password secured on request	●
Alternator 24 V / 90 A	●
Starter motor 24 V / 11 kW	●
Batteries 2 × 12 V / 180 Ah	●

Hydraulic system

Electronic closed-centre load sensing (E-CLSS) hydraulic system (HydrauMind)	●
Pump and engine mutual control (PEMC) system	●
6-working mode selection system; power mode, economy mode, breaker mode, attachment power and attachment economy mode, and lifting mode	●
PowerMax function	●
Two-mode boom control	●
In-line filter for hydraulics	●
Two additional service valves (full flow)	●
One additional service valve (1/2 flow)	●
Drain circuit for hydraulic attachment rotation motors	●
Prepared for hydraulic quick coupler	●
PPC wrist control levers for arm, boom, bucket and swing, with sliding proportional control for attachments and 3 auxiliary buttons	●
PPC pedal for high reach demolition mid link	●
Komatsu Integrated Attachment Control system (KIAC)	●

Drives and brakes

Hydrostatic, 3-speed travel system with automatic shift and planetary gear type final drives, and hydraulic travel and parking brakes	●
PPC control levers and pedals for steering and travel	●

Undercarriage

Track roller guards	●
Track frame under-guards	●
Hydraulic adjustable wide gauge (HWG) undercarriage	○
600, 700 mm triple grouser track shoes (HWG: 700 mm only)	○
Full length track roller guards (standard with HWG)	○

Cabin

Demolition specification Safety SpaceCab™, with ISO10262 level 2 FOPS guards and roof screen wash wipe system. Fixed, one piece front window. Front and roof window fitted with high impact protective laminated glass, compliant with EN356 Grade P5A, in accordance with EN474 Part 1: Annex G.	●
Tilting cab, controlled by wrist controller buttons, with soft start/soft stop function, including hydraulic power hoses and cab raise cylinders	●
Heated, high back air suspension seat with lumbar support, console mounted height adjustable arm rests, and retractable seat belt	●
Automatic climate control system	●
12 / 24 Volt power supplies	●
Beverage holder and magazine rack	●
Hot and cool box	●
Radio (AM/FM)	●
Auxiliary input (MP3 jack)	●
Parallel action wiper with flick wipe function operated by wrist controller button	●
DAB+ digital radio w auxiliary input (MP3 jack)	○

LED lighting system

Working lights: 2 revolving frame (front), 2 boom, 4 cab roof (front), 1 cab roof (rear), 1 revolving frame side (right), 2 counterweight (rear), 1 revolving frame side (left), beacon	●
---	---

Work equipment

Demolition 1st boom: Includes demolition 1st boom, fitted with Komatsu hydraulic quick connect system and hydraulic pipework suitable for operation of rotating crusher attachment.	●
High Reach Demolition: Includes heavy duty demolition 2nd boom, heavy duty mid link and heavy duty demolition arm, to fit onto demolition 1st boom. Includes work equipment stands compliant with EN474 Part 1: Annex G	○
Heavy Duty Extension boom: Includes extension boom to fit onto demolition 1st boom, with Komatsu hydraulic quick connect system, piping for hydraulic quick coupler and piping for hose burst valves. Includes equipment stand.	○
Excavation boom: Includes two position excavation boom to fit onto demolition 1st boom, 3200 mm arm, with piping for hydraulic quick-coupler, arm cylinder safety valve. Includes work equipment stands compliant with EN474 Part 1: Annex G	○
Komatsu buckets	○

Safety equipment

Working range indicator (WRI) system with full colour graphical display and warning buzzer. Compatible with optional high reach arm camera. 15 attachment memory settings	●
KomVision surround view system	●
Emergency engine stop switch	●
Electric horn	●
Lockable fuel cap and covers	●
Audible travel alarm	●
Neutral position detection system	●
Boom, arm and mid link safety valves, compliant with EN474 Part 1: Annex G	●
Large handrails, rear-view mirrors	●
Battery main switch	●
Emergency cab lower switch (internal and external)	●
High reach arm end camera	○

Service and maintenance

Automatic fuel line de-aeration	●
Double element type air cleaner with dust indicator and auto dust evacuator	●
Komtrax – Komatsu wireless monitoring system	●
Komatsu Care – a maintenance program for Komatsu customers	●
Multi-function video compatible colour monitor with Equipment Management and Monitoring System (EMMS) and efficiency guidance	●
Toolkit	●
Service points	●

Other equipment

Heavy duty revolving frame with heavy duty demolition under covers and side guard protection	●
Counterweight prepared for demolition counterweight	●
Remote greasing for swing circle and pins	●
Electric refuelling pump with automatic shut off function	●
Standard colour scheme and decals	●
Parts book and operator manual	●
Additional counterweight. To fit into main demolition counterweight when high reach or medium reach demolition equipment is installed. Removable for excavation operations	○
Biodegradable oil for hydraulic system	○
Customised paint	○
Dust resistance kit, including turbine type engine air pre cleaner, mesh protection to air intakes	○

Further equipment on request

- standard equipment
- optional equipment

This specification sheet may contain attachments and optional equipment that are not available in your area. Please consult your local Komatsu distributor for those items you may require. Materials and specifications are subject to change without notice.

Your Komatsu partner:

KOMATSU

[komatsu.eu](https://www.komatsu.eu)

